

Storm VR/VRC850



Model	VR/VRC850
VESSEL LENGTH	8–11m 26–35ft
POWER SUPPLY (DC)	12/24V
MOTOR (Watts)	600
MAX LOAD	386kg 850lb
WORK LOAD	96kg 212lb
AMPS WORK LOAD (DC)	75/40
MAX LINE SPEED	24m/min 77ft/min
CHAIN SIZE	6 mm (1/4") 8mm (5/16") 10 mm (3/8")
ROPE SIZE	12 mm (1/2") 14 mm (9/16") 16 mm (5/8")
NET WEIGHT	DC/HYD VR 15kg VRC 16.5kg DC/HYD VR 33lb VRC 37lb
MANUAL OPERATION	MOS (std on most gypsy sizes)

Features

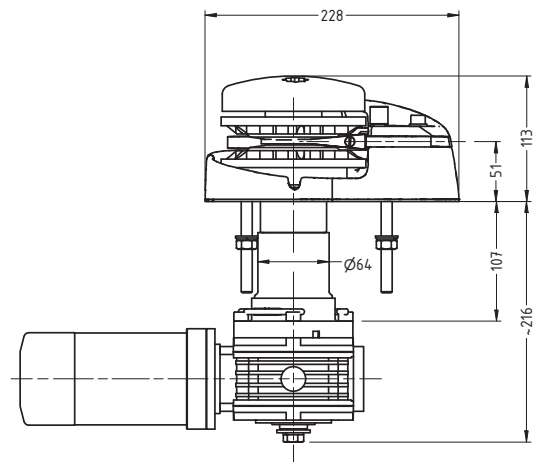
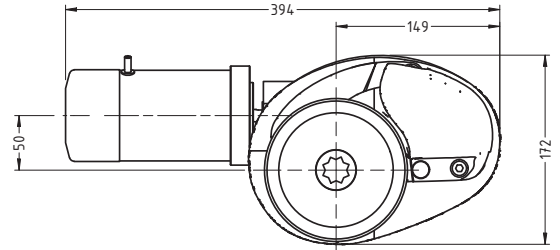
- Polished stainless steel components.
- Rope chain combination gypsy
- Rope Chain Management System (RCMS)
- Quick release integrated swivel chain pipe cover
- Gypsy with low profile clutch top arrangement
- Heavy duty marine grade, dual direction motor in 12V and 24V DC
- Independent gypsy and capstan operation
- Capstan models feature heavy duty knurled finish for increased grip
- Quick fit adaptor
- Stainless steel shaft
- Cone clutch/brake
- Stainless steel mounting studs
- Shaft seal
- Self lubricating bush
- Clutch release handle
- Installation/Operation booklet
- Manual Operation System (MOS)



Options

- Extra deck clearance kit for deck up to 150mm/6"
- Full range of accessories including chain, rope, chain stoppers, snubber kits and devil claws
- Electrical operating options and accessories
- Auto anchor - chain counter

VR850



VRC850

